

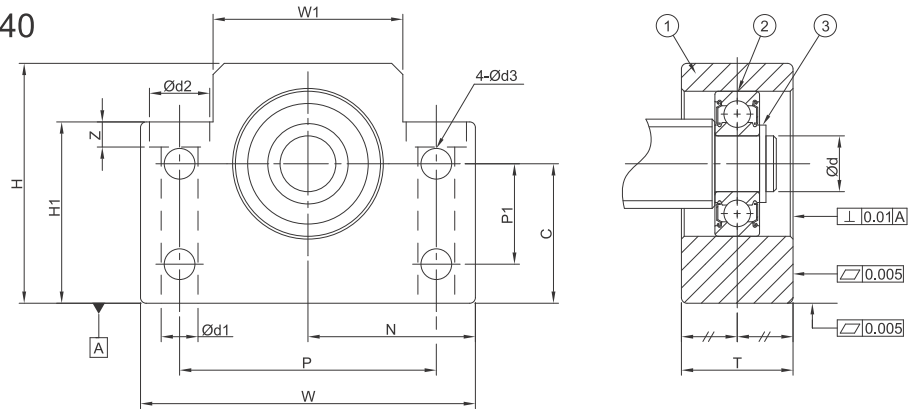
Linear Motion Component ► Support Units

Support Side Standard Type (Two-Way Mounting Design) | Rectangle Design | GBF

GBF-B



GBF10 ~ GBF40



Standard Type	Dimensions											
	Ød	T	W _{0.004}	W1	H	H1	P	P1	Ød1	Ød2	Z	Ød3
GBF10	8	20	60	34	39	32.5	46	15	63	10.8	5	5.5
GBF12	10	20	60	34	43	32.5	46	18	6.3	10.8	1.5	5.5
GBF15	15	20	70	40	48	38	54	18	6.3	11	6.5	5.5
GBF17	17	23	86	50	64	55	68	28	8.7	14	8.6	6.6
GBF20	20	26	88	52	60	50	70	22	8.7	14	8.6	6.6
GBF25	25	30	106	64	80	70	85	33	10.7	17.5	11	9
GBF30	30	32	128	76	89	78	102	33	13.7	20	13	11
GBF35	35	32	140	88	96	79	114	35	13.7	20	13	11
GBF40	40	37	160	100	110	90	130	37	17.7	26	17.5	14

Ordering Example	GBF	10	S	N	J
	Model No.	Shaft Dia.	Grade	Surface finish	Bearing category

Linear Motion Component ► Support Units

Support Side Standard Type (Two-Way Mounting Design) | Rectangle Design | GBF

GBF-N

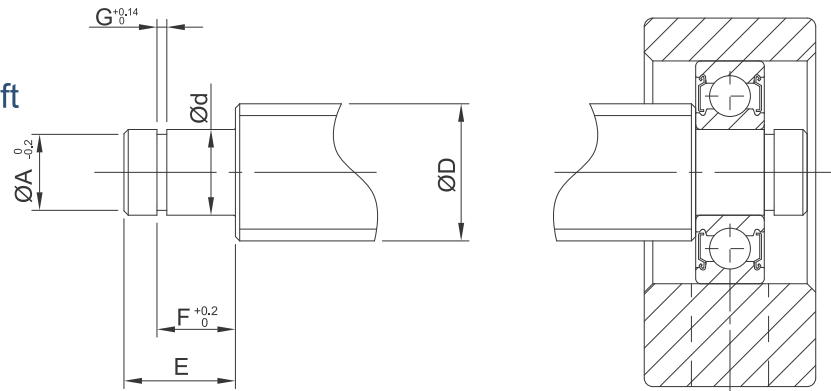


Components

No.	Parts	Material	Q'ty
①	Main housing	S50C	1
②	Bearing	SUJ2	1
③	Snap ring	SWB	1

- Bearing filled with proper lithium soap lubricant maintenance free.
- Bearing with two steel covers in black dyed.
- Bearing with two touch-type plastic covers in Ni-plating.

Recommended Processing Dimensions of Shaft



Unit : mm

		Recommended Processing Dimensions of Shaft						Snap Ring
		Ball Screw Shaft O. D.	Shaft End Diameter	Groove Sizes Machined for Snap Ring				
N ±0.02	C _{-0.04} ⁰	ØD	Ød	ØA	E	F	G	
30	22	12 / 14 / 15	8 ^{-0.005} _{-0.012}	7.6	10	7.9	0.9	S 08
30	25	14 / 15 / 16	10 ^{-0.005} _{-0.012}	9.6	11	9.15	1.15	S 10
35	28	18 / 20	15 ^{-0.005} _{-0.014}	14.3	13	10.15	1.15	S 15
43	39	20 / 25	17 ^{-0.005} _{-0.014}	16.2	16	13.15	1.15	S 17
44	34	25 / 28 / 30	20 ^{-0.005} _{-0.014}	19	19	15.35	1.35	S 20
53	48	30 / 32 / 36	25 ^{-0.005} _{-0.014}	23.9	20	16.35	1.35	S 25
64	51	36 / 40	30 ^{-0.005} _{-0.015}	28.6	21	17.75	1.75	S 30
70	52	40 / 45	35 ^{-0.005} _{-0.015}	33	22	18.75	1.75	S 35
80	60	50	40 ^{-0.005} _{-0.015}	38	23	19.95	1.95	S 40

• Fixed Side spec please refer to P.0033~P.0034 and P.0041~P.0042